



## Features

- Pneumatic actuated shut-off valves for screw dosing devices of the DSR-25 / DSR-10 series or devices supplied by the customer.
- Compact design requiring minimal installation space.
- Flap actuation by solenoid valve.
- Initiators to monitor the flap position.
- Exceptionally service friendly.
- Robust construction for unfailing reliability, even under the harsh operating conditions.
- Tested and verified according to European EC standard.

## Application

- As a shut-off element for dosing devices handling dry, powdered and granular bulk materials.
- The flap closure prevents the bulk material from shooting into the empty dosing hopper during filling.
- To avoid in-flight-material when filling containers in subsequent processes, for instance when weighing one or more components with the revolving hopper scales of the types ED-90 and ED-91.

## Operating principal

- The closure flap is actuated by a double-acting pneumatic cylinder which, in turn, is controlled by a 5/2-way solenoid valve with an exhaust-air throttle.
- Initiators monitor the closure flap position.

## Standard equipment

- Type DS-KLV:
  - Supporting ring made of normal steel, matching the outside screw tube diameters of 40, 60 and 90 mm; secured with screws and hose band-clip.
  - Closure flap with rubber washer.
  - Emergency closure spring in the event of a breakdown of the pneumatic system.
  - Clamping screws and hose band clips for mounting on the supporting tube.
  - Pneumatic system consisting of double-acting pneumatic cylinder, solenoid valve with coil, exhaust-air throttle and various screw connections.
  - A solenoid valve power supply failure automatically closes the closure flap.
  - Initiator to monitor the "CLOSED" flap position.
  - Surfaces of normal steel parts are galvanized.

- Type DS-KLG:
  - Dust-tight case made of normal steel, with supporting ring matching the nominal screw tube diameters of 40, 60 and 90 mm; secured with screws.
  - Closure flap with rubber washer.
  - Emergency closure spring in the event of a of pneumatic system breakdown.
  - Clamping screws for mounting on the supporting tube.
  - Pneumatic system consisting of double-acting pneumatic cylinder, solenoid valve with coil, exhaust-air throttling and various screw connections.
  - A solenoid valve power supply failure automatically closes the closure flap.
  - Read contact to monitor the "CLOSED" flap position.
  - Read contact to monitor the "OPEN" flap position.
  - The surfaces of the normal steel parts are galvanized.

## Accessories

- Type DS-KLV:
  - Steel parts made of stainless steel, 1.4301.
  - Initiator to monitor the "OPEN" flap position.
  - Rubber washer material according to the buyer's specifications.
- Type DS-KLG:
  - Steel parts made of stainless steel, 1.4301.
  - Connection for a dust-extracting facility.
  - Down pipe with cuff collar; length according to the customer's specifications.
- Rubber washer material according to the buyer's specifications.

## Technical data

- Solenoid supply voltage 24 V<sub>DC</sub>
- Operating pressure of the pneumatic system 4.5 to 6 bar.
- Permissible ambient temperature 0 °C to + 50 °C

## Standards and norms

- According to conformity explanation the valid European standards.
- EC declaration
- Devices in ATEX-version in preparation

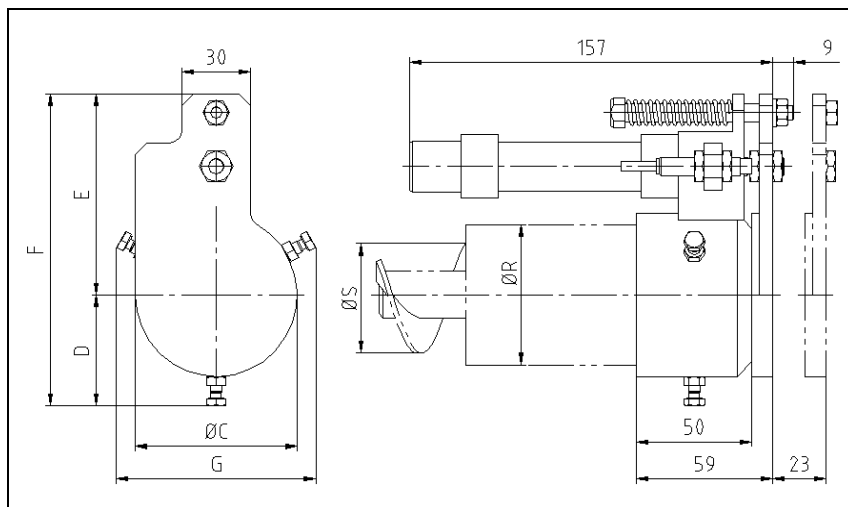
# Klappenverschluss DS-KLV / DS-KLG



## Dimension Flap Closure type DS-KLV

Please refer the table below for the actual dimensions of the identifying letters.

Unit of measurement: mm



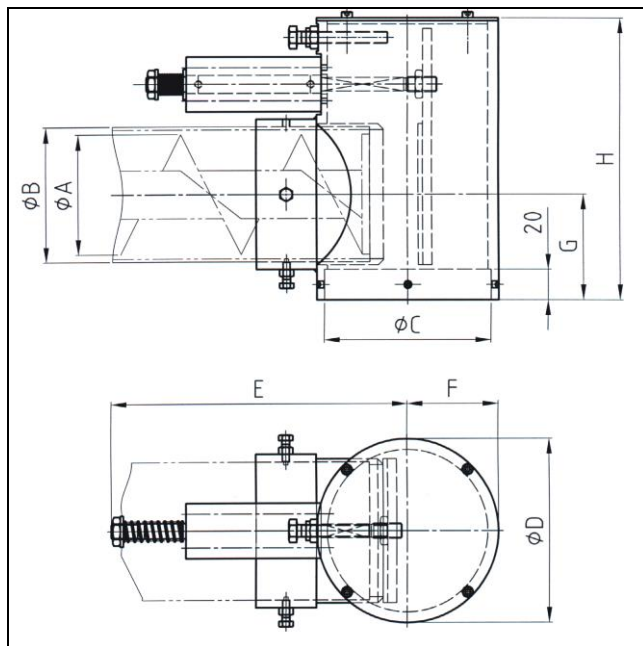
Type	DS-KLV/30	DS-KLV/50	DS-KLV/80
Dim in mm			
ØS	30	50	80
ØR	40	60	90
ØC	50	70	100
D	35	45	60
E	76	86	101
F	111	131	161
G	66	81	106

Figure 1: Dimensions of the standard version Flap Closure DS-KLV

## Dimension Flap Closure type DS-KLG

Please refer the table below for the actual dimensions of the identifying letters

Unit of measurement: mm



Type	DS-KLG/30	DS-KLG/50	DS-KLG/80
Dim in mm			
ØA	30	50	80
ØB	40	60	90
ØC	60	78	110
ØD	70	87	120
E	58	157	196
F	35	43,5	60
G	45	55	70
H	137	157	187

Figure 2: Dimensions of the standard version Flap Closure DS-KLG