



Features

- Screw feeder based on a proved concept.
- Screw feeder diameters 30, 50 and 80 mm.
- Different container shapes also with emptying the residue.
- Different extension hoppers possible.
- Conveying lengths according to the customer's requirements up to 5 m length.
- Screw feeder and stirrer drive powered by three-phase current motor with adjustable frequency and thermistor; power up to 1.5 kW.
- Stirrer optional with separate drive (three-phase current motor), also additional upgradeable.
- Robust construction for complete operating safety, even under the harsh production conditions.

Application

- For dosing dry, powdered and granular bulk materials.
- Optional stirrer device with variable geometry allows dosage poorly flowing materials.
- Dosage rate between 0.6 to 25 litre / minute, variable in ratios of up to 1:20, depending upon the screw diameter, rotating speed and type of bulk material.
- As a discharge for silo installations and big-bags
- Can be operated as a separate unit, also with manual filling.
- In conjunction with the shut-off valves of the DS-KLV, DS-KLG or DS-ASG series, also usable as a variable feeding element, e.g. for single and multi-component weighers type ED-90, ED-91 and ED-21.

Operating principle

- The screw feeder functions according to the moving auger principle where the bulk material is moved forwards in a tube by a rotating screw. With a horizontal arrangement of the feed screw, friction-induced rotation of the bulk material with the screw is prevented by its own weight. With this arrangement, however, the bulk material must not completely cover the screw lead and its core shaft as this would eliminate sliding surfaces and cause the rotation of the material with the screw. Consequently, the external diameter of the dosing screws in our units gradually becomes wider towards the point of discharge.

Standard equipment

Dosing hopper:

- 25 litres available volume.
- Inlet flange for suspended attachment to existing hoppers, or mounting for supply hoppers and extension hoppers, covers, etc.
- Dosing hopper trough shaped with emptying the residue and integrated pedestal or alternatively square shaped without bottom, with connecting flange on both sides.

- 2 brackets (Type NETTER NCB1) for installation of compressed air vibrators on the hopper.

Screw feeder:

- Solid, single-flight blade screw (double-flight in the discharge area) with core shaft and progressively increased external diameter
- Dosing star to break up the bulk material at the discharge position.
- Outlet tube corresponding to the conveying length and the screw diameter.
- Connecting sleeve for level indicator M30 x 1.5.
- All parts in steel St37, ground coat and final coat on customers request or option stainless steel.
- Inclusive drive with a three-phase gear motor.

Accessories / Options

- Devices in ATEX with certification (on request).
- Concentric gasket to partition of the outlet when integrating the customers own receiving hoppers.
- Cover with concentric gasket, inlet pipe- and / or control nozzle.
- Supply extension hoppers, volumes according to the clients requirements.
- Angled connecting piece at the outlet for transition to down pipes.
- Clamping link to additionally support the outlet tube.
- Stirrer device with separate driving motor, to relieve the bulk material.
- Compressed air vibrators (NETTER K8).
- Bulk material contacted parts in stainless steel.
- Inclined conveyors for up to 35° practicable.
- Flap closures as shut-off valves to avoid product fall and moisture intake.
- Connecting sleeve for level sensors G1" or G1½".

Technical Data

- Typical conveying capacity with 50 Hz (depending on product, specifications without warranty):

DSR-25/30	0.6 l/Min	FQ regulation (0.06 ... 0.9)
DSR-25/50	3.0 l/Min	FQ regulation (0.3 ... 5)
DSR-25/80	15 l/Min	FQ regulation (1.5 ... 25)

- Maximum recommend feed lengths up to 3000 mm and longer on special requests.
- Feed screw lead (inclination) 30, 50, 80 mm depending upon the outside diameter.
- Outside pipe diameter 40, 60, 90 mm, depending upon the screw diameter.
- Feed screw core diameter 20 mm.
- Permissible ambient temperatures 0 °C to + 50 °C
- Power of the three-phase current motor drive, according to dosage requirements.

Dosing Device DSR-25

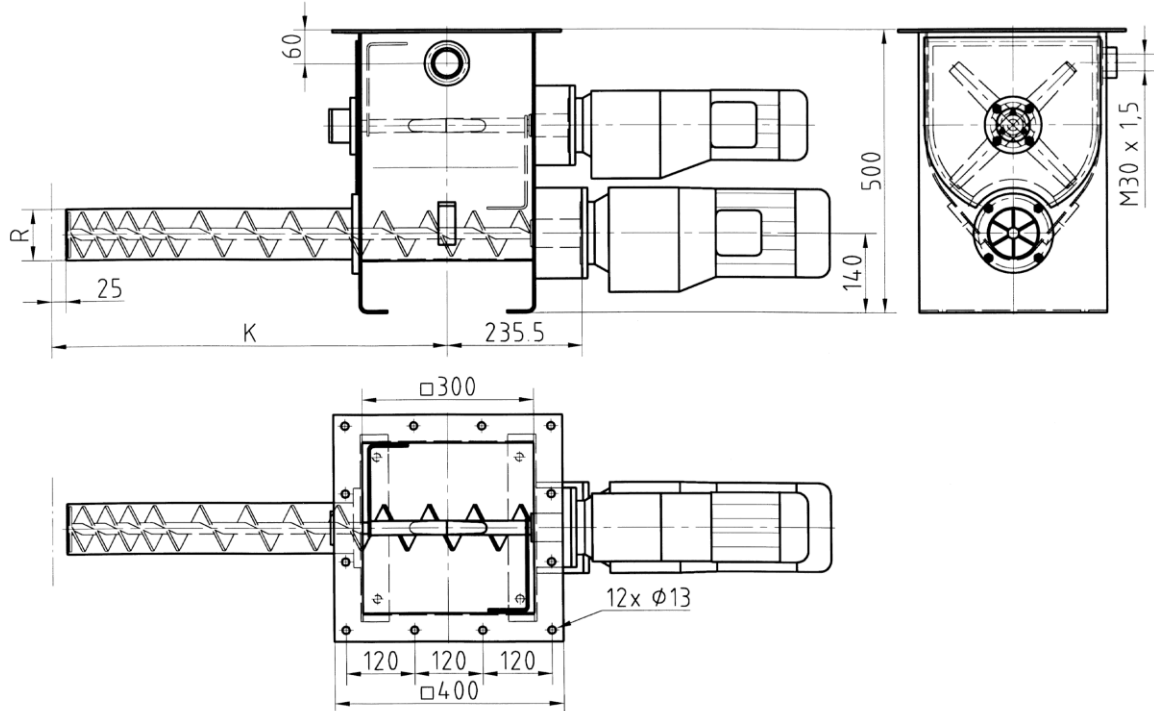


Standards and norms

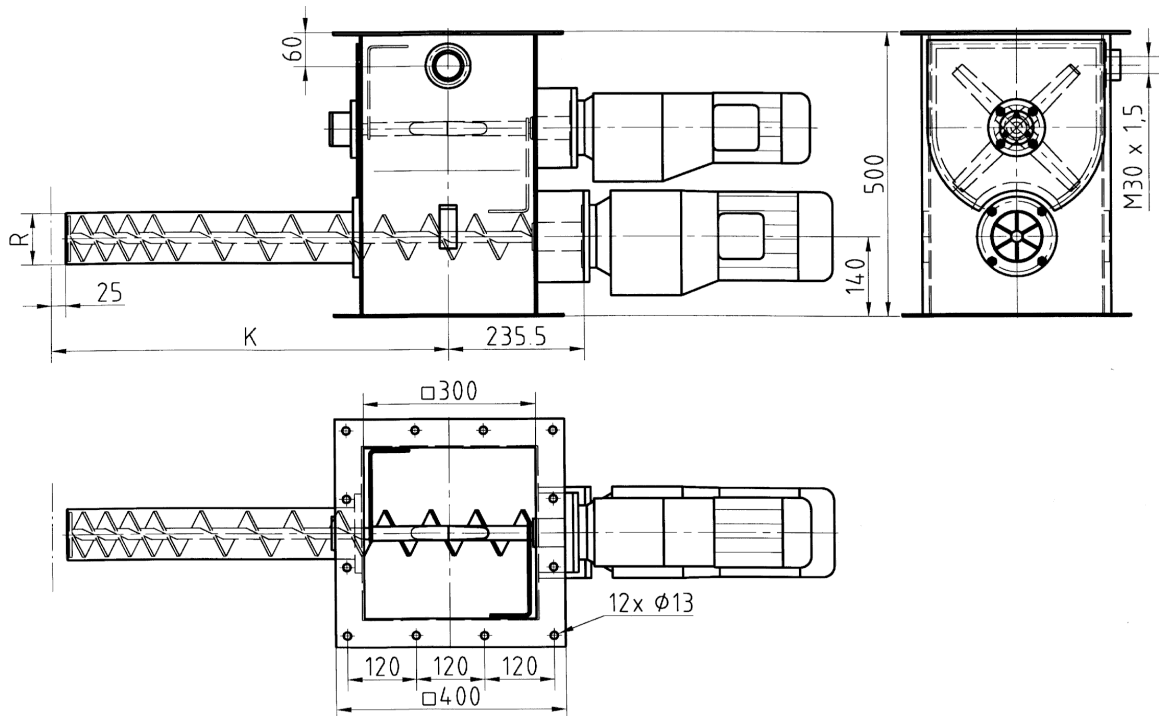
- According to conformity explanation the valid European standards. EC declaration.

Dimensions

Unit of measurement: mm



Dimensions of basic equipment dosing device DSR-25-T with hopper trough shaped



Dimensions of basic equipment dosing device DSR-25-Q with hopper square shaped, without bottom