



Features

- Pneumatic actuated shut-off valves for screw dosing devices.
- Compact design.
- Slide valve actuation by solenoid valve.
- Initiators to monitor the slide valve position.
- Robust construction for unfailing reliability, even under the harsh operating conditions.

Application

- As a shut-off element for dosing devices handling dry, powdered and granular bulk materials.
- The slide valve prevents the bulk material from shooting into the empty dosing hopper during filling.
- To avoid in-flight-material when filling containers in subsequent processes, for instance when weighing one or more components with the revolving hopper scales of the types ED-90, ED-91 and ED-21.

Operating principal

- The slide valve is actuated by a double-acting pneumatic cylinder which, in turn, is controlled by a 5/2-way solenoid valve.
- Initiators monitor the slide valve position.

Standard equipment

- Initiators to monitor the "OPENED" and "CLOSED" slide valve position.
- Supporting ring matching the outside screw tube diameters of 40, 60, 90 and 114 mm.
- Mounting with clamping screws.
- In case of breakdown of the power supply of the solenoid valve, the slide valve closes automatically.
- Pneumatic system consisting of double-acting pneumatic cylinder, solenoid valve with coil and various screw connections.
- Version in normal steel with a galvanized surface or parts which comes into contact with the product are made of stainless steel with polished surface.

Accessories

- Down pipe with cuff collar

Technical data

- Solenoid supply voltage 24 V_{DC}
- Operating pressure of the pneumatic system 4 to 6 bar.
- Permissible ambient temperature 0 °C to + 40 °C.

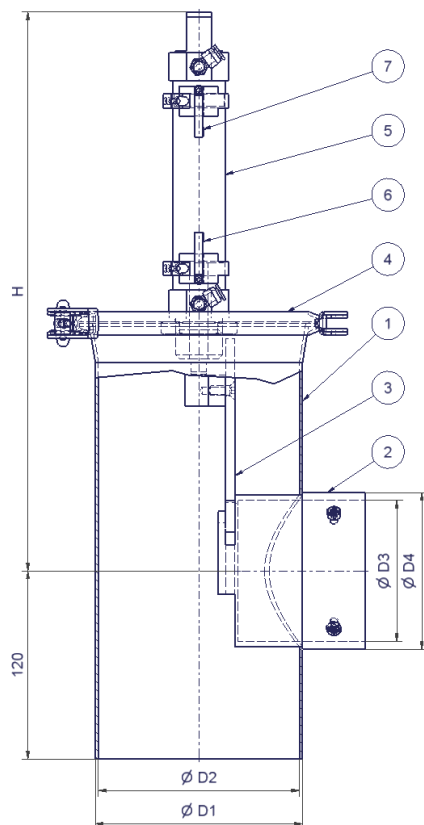
Standards and norms

- According to conformity explanation the valid European standards.
- EC declaration



Dimension

Please refer the table below for the actual dimensions of the identifying letters.



- (1) **Housing**
Housing pipe
- (2) **Terminal bracket**
Welded to housing pipe, diameter according to screw diameter
- (3) **Slide valve**
Of wear-resistant plastic
- (4) **Cap with quick-action fastener**
Cylinder and slide valve are dismantled together with the cap
- (5) **Pneumatics unit**
Double-acting cylinder, 5/2-way solenoid valve with coil and connector pipe coupling, external tolerancing \varnothing 6 mm
- (6) **Initiator switch slide valve position "Closed"**
Reed contact 24 V/DC
- (7) **Initiator slide valve position "Open"**
Reed contact 24 V/DC

Figure 1: Dimensions of the standard version slide valve DS-ASG

Unit of measurement: mm

Type	DS-ASG-30	DS-ASG-50	DS-ASG-80	DS-ASG-100
Dimension in mm				
Screws - \varnothing	30	50	80	100
\varnothing D1	75	96	132	146
\varnothing D2	73	92	130	142
\varnothing D3	40	60	90	114
\varnothing D4	50	70	100	125
H	180	245	357	420

Table 1: Dimensions of slide valve DS-ASG